

Features

- Single lever handle allows for simultaneous on/off activation and temperature setting.
- 7 gpm (gallons per minute) at 45 PSI.
- 1.75 gpm (6.6 lpm) flow rate for handshower.
- Includes Shift® handshower and 60" shower hose.
- Coordinates with other products in the Margaux collection.

Material

- Premium metal construction for durability and reliability.

Technology

- KOHLER ceramic disc valves exceed industry longevity standards for a lifetime of durable performance.

Installation

- Floor-mount.
- Compatibility with bathtub varies by application.

Required Products/Accessories

K-97339 Multiproduct Mounting-block

Recommended Products/Accessories

K-23723 Faucet cleaner

Included Components

Additional Components:

K-45415-AG Multifunction 1.75 GPM Handshower



Codes/Standards

ASME A112.18.1/CSA B125.1

DOE - Energy Policy Act 1992

EPA WaterSense®




California Energy Commission (CEC)

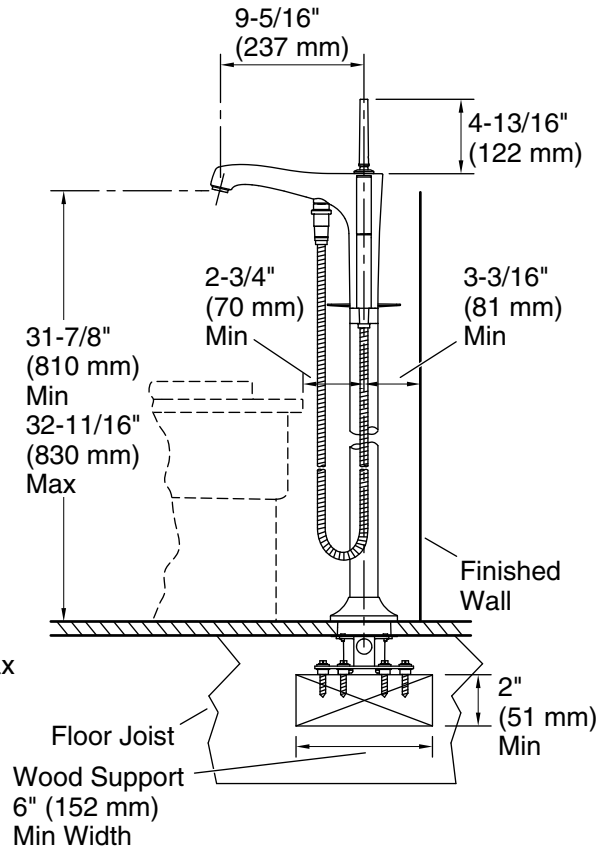
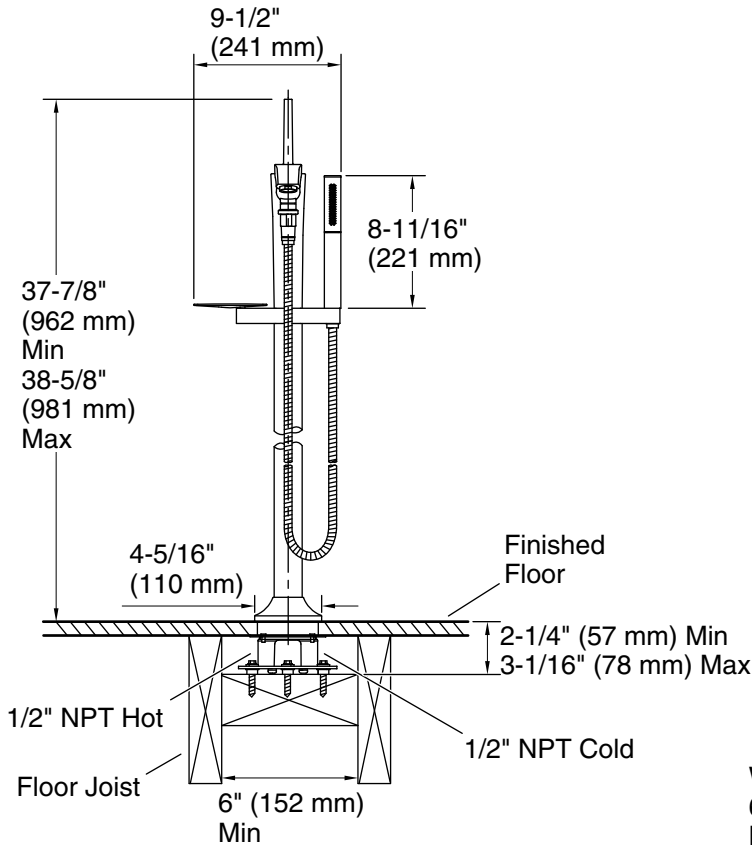
KOHLER® Faucet Lifetime Limited Warranty

See website for detailed warranty information.

Available Colors/Finishes

Color tiles intended for reference only.

| Color | Code | Description |
|---|------|--------------------------|
|  | CP | Polished Chrome |
|  | SN | Vibrant® Polished Nickel |
|  | BN | Vibrant® Brushed Nickel |



Technical Information

All product dimensions are nominal.

Faucet:

Flow rate: 7 gal/min (26.5 l/min)
 Pressure: 45 psi (3.1 bar)
 Valve body: Composite
 Drain included: No

Spout:

Spout reach: 9-5/16" (236 mm)

Handshower:

Rated maximum flow: 1.75 gal/min (6.6 l/min)
 Pressure: 80 psi (5.5 bar)

Notes

Install this product according to the installation guide.

Adequate floor support is required. The wood support must be a minimum of 2" (51 mm) thick by 6" (152 mm) wide. 2x6 lumber is NOT adequate for this application.

Concrete can be used as the floor support. Requires 3/16" masonry drill bit and six 1/4" x 1-3/4" concrete screws, not included.